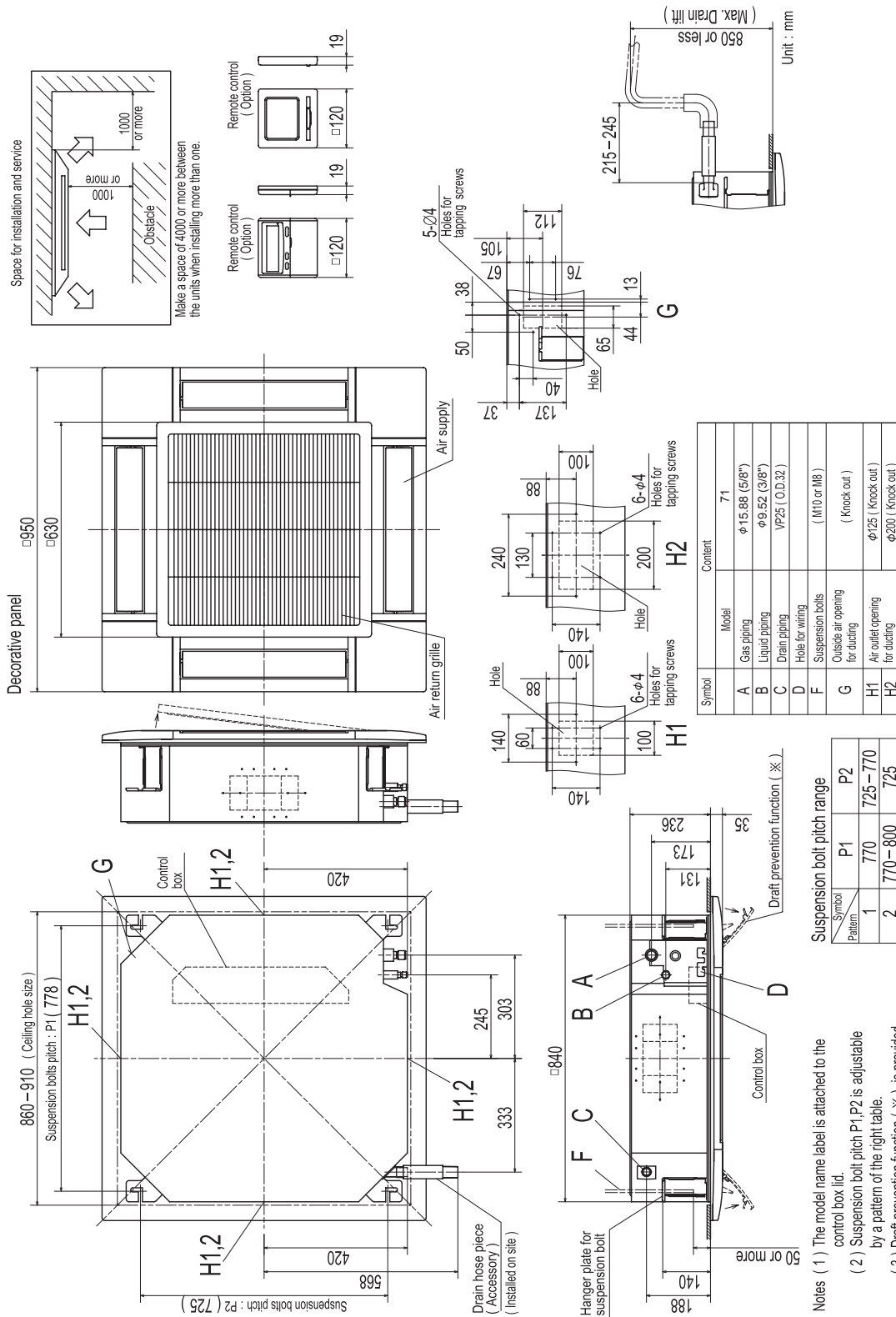


# 1.2 EXTERIOR DIMENSIONS

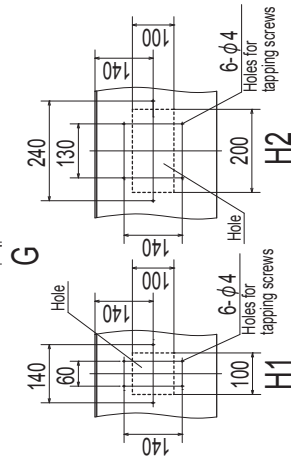
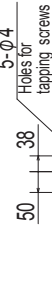
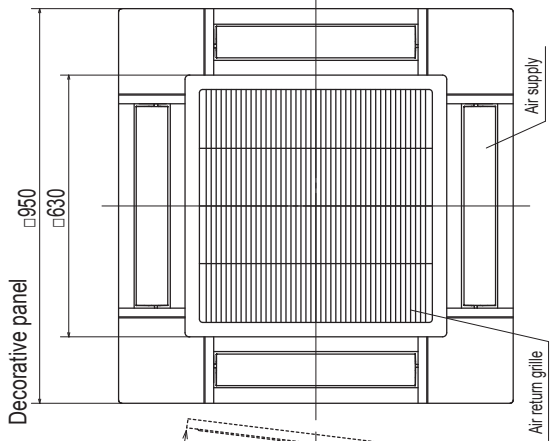
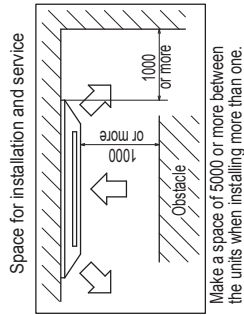
## (1) Indoor units Models FDT71VH



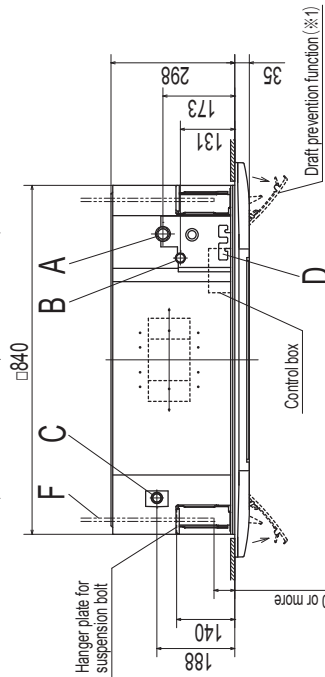
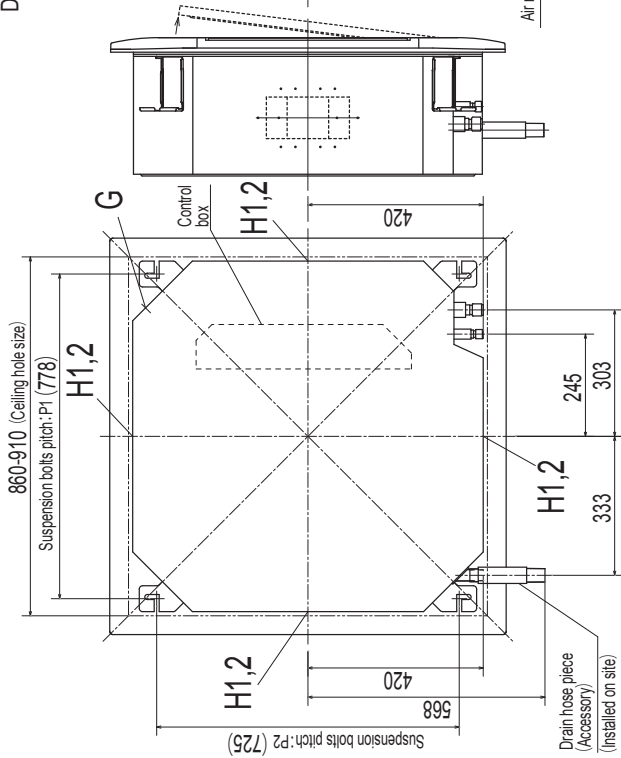
PJF000Z552

Model FDT100VH, 125VH, 140VH

Symbol	Content
A	Gas piping φ15.88 (5/8") (Flare)
B	Liquid piping φ9.52 (3/8") (Flare)
C	Drain piping VP25 (O.D.32)
D	Hole for wiring (M10 or M8)
F	Suspension bolts Outside air opening for ducting (Knock out)
G	Air outlet opening for ducting φ125 (Knock out) φ200 (Knock out)



Unit:mm



Suspension bolt pitch range

Symbol	P1	P2
1	770	725-770
2	770-800	725

- Notes(1) The model name label is attached to the control box lid.  
 (2) Suspension bolt pitch P1,P2 is adjustable by a pattern of the right table.  
 (3) Draft prevention function (※1) is provided on the panel T-PSAE-5AW-E only.

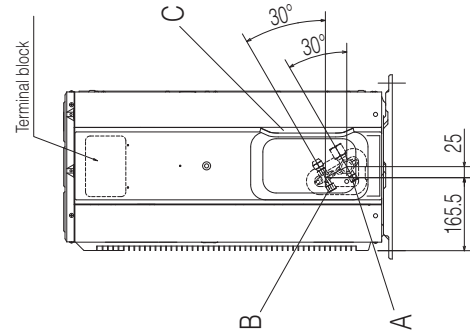
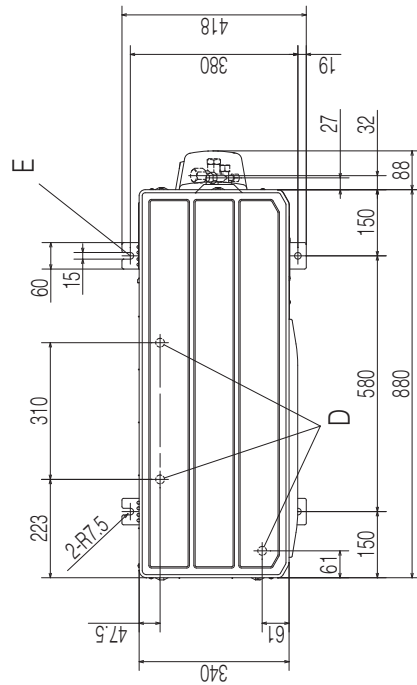
PJF000Z553

**(2) Outdoor units  
Model FDC71VNX**

Notes

- (1) It must not be surrounded by walls on the four sides.
- (2) The unit must be fixed with anchor bolts. An anchor bolt must not protrude more than 15mm.
- (3) Where the unit is subjected to strong winds, lay it in such a direction that the blower outlet faces perpendicularly to the dominant wind direction.
- (4) Leave 1m or more space above the unit.
- (5) A wall in front of the blower outlet must not exceed the unit's height.
- (6) The model name label is attached on the lower right corner of the front panel.

Symbol	Content
A	Service valve connection (gas side) (Flare)
B	Service valve connection (liquid side) (Flare)
C	Pipe/cable draw-out hole
D	Drain discharge hole
E	Anchor bolt hole



Minimum installation space

Examples of installation Dimensions	I	II	III
L1	Open	Open	500
L2	300	250	Open
L3	100	150	100
L4	250	250	250

Unit:mm

**Models FDC100VNX, 125VNX, 140VNX  
100VSX, 125VSX, 140VSX**

**Notes**

- (1) It must not be surrounded by walls on the four sides.
- (2) The unit must be fixed with anchor bolts. An anchor bolt must not protrude more than 15mm.
- (3) Where the unit is subject to strong winds, lay it in such a direction that the blower outlet faces perpendicularly to the dominant wind direction.
- (4) Leave 1m or more space above the unit.
- (5) A wall in front of the blower outlet must not exceed the unit's height.
- (6) The model name label is attached on the lower right corner of the front panel.
- (7) Connect the Service valve with local pipe by using the pipe of the attachment. (Gas side only)

Symbol	Content
A	Service valve connection of the attached connecting pipe (gas side) $\phi 15.88$ (5/8") (Flare)
B	Service valve connection (liquid side) $\phi 9.52$ (3/8") (Flare)
C	Pipe/cable draw-out hole
D	Drain discharge hole $\phi 20 \times 3$ places
E	Anchor bolt hole M10 $\times$ 4 places
F	Cable draw-out hole $\phi 30$ (front) $\phi 45$ (side) $\phi 50$ (back)

